

AXIS 295 Video Surveillance Joystick

*Easy joystick control of Axis PTZ
and dome network cameras*

The Video Surveillance Joystick is a USB device specifically designed to provide the network video industry with responsive and accurate control of pan/tilt/zoom and domes cameras. Featuring a three-axis Hall-effect joystick, twelve programmable push-buttons and USB interface, the Video Surveillance Joystick integrates seamlessly with any video surveillance software platform recognizing joystick inputs via Microsoft's DirectX.



- Easy to install and configure using USB interface
- Durable high quality joystick (Hall-effect)
- Cost-efficient solution for control of PTZ and dome cameras
- X/Y-axis for positioning and turning handle for zoom
- Twelve programmable push-buttons, 2 on handle and 10 on base housing

AXIS[®]
COMMUNICATIONS

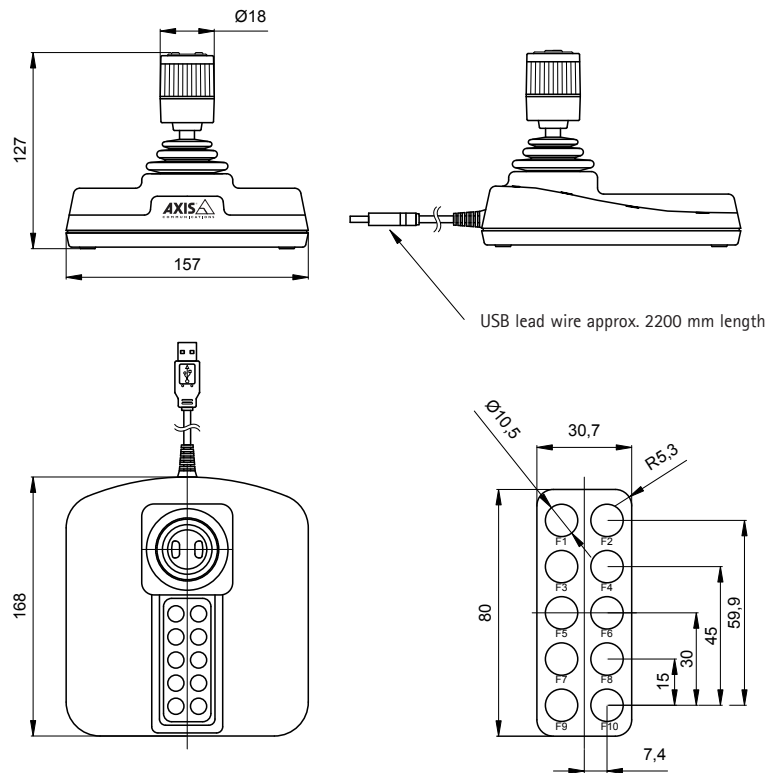
Make your network smarter

Channel Partners **Kwick Soft Solutions Pvt Ltd**, Chennai, India.

AXIS 295 Video Surveillance Joystick

Specifications			
Connection	USB port, connected directly to the workstation/PC. Uses the standard Direct X drivers	System integration support	Windows XP, 2003 and 2000
Joystick specification	Hall-effect joystick with three axes: - X/Y: for camera view positioning - Z: for zoom in and out Twelve programmable push-buttons, 2 on handle and 10 on base housing Joystick Travel: X/Y-Axes: $\pm 18^\circ$ Z-Axis: $\pm 40^\circ$ Centering: Single spring, omni-directional Housing: high impact ABS Handle: high impact glass reinforced nylon Boot: thermoplastic rubber Shaft: stainless steel Suitable for right- and left-handed use	Application support	AXIS Camera Station 2.10 and above Selected AXIS Partner software applications* AXIS Media Control when controlling PTZ cameras via Internet Explorer. *See www.axis.com/adp_partners.htm for more software applications via partner
Connectors	USB A	Supported protocols	USB 2.0**, Direct X (Gaming control)
Power	Via USB interface (5V DC) Supply current: 32mA	Accessories (included)	Blank text sheets for push-buttons, Plastic cover for text sheet
Operating conditions	Operating temperature: -25°C to 85°C	Applications (not incl.)	Supported by Axis PTZ video products with firmware version 4.40 or later
		Approvals	EN55024:1998 EN55022 FCC Part 15 Subpart B, Class B
		Dimensions (HxWxD) and weight	157 x 168 x 127 mm (6.18" x 6.61" x 5.00") 440 g

**Backwards compatible with USB 1.x



All measurements in millimetres

29536/EN/R3/0706

©2007, Axis Communications AB. The Axis trademark is registered by Axis AB. All other company names and products are trademarks or registered trademarks of their respective companies. We reserve the right to introduce modifications without notice.

www.axis.com

AXIS
COMMUNICATIONS

Make your network smarter

Channel Partners **Kwikk Soft Solutions Pvt Ltd**, Chennai, India.