

AXIS 206/207 Vandal-Resistant Housing

Protect AXIS 206/207 Network Cameras from vandals

AXIS 206/207 Vandal-Resistant Housing provides a tamper-resistant solution for indoor security applications using AXIS 206/207 Network Cameras. It is an ideal solution for prisons, schools, institutions and government facilities.

Made of cast aluminum, the housing has high impact resistance and tamper-resistant screws, with side and top cable access ports. The surface-mount housing is designed for quick and simple installation.



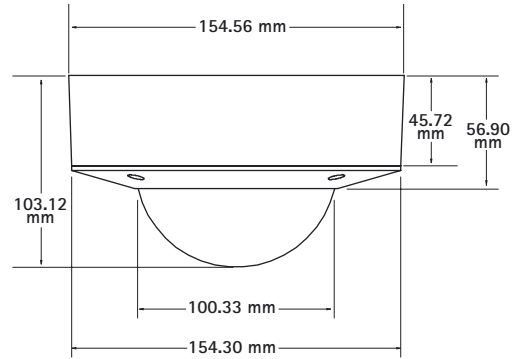
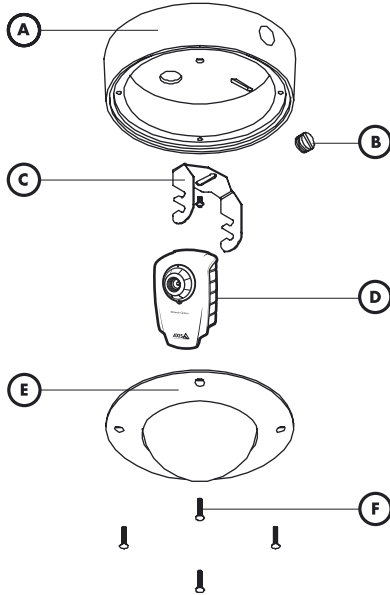
- Detention grade housing
- Impact-resistant dome and tamper-resistant screws
- Cast aluminum construction with side and top cable access ports

AXIS 206/207 Vandal-Resistant Housing



Specifications

Mechanical Properties	Upper unit: Cast aluminum Lower unit: Cast aluminum trim ring with polycarbonate dome Hardware: Heavy-gauge steel construction with black powder-coat finish	Dimensions and Weight	Height: 4.06 in, 10.31 cm Width: 6.075 in, 15.43 cm Unit Weight: 3.0 lbs, 1.36 kg Shipping Weight: 3.7 lbs, 1.39 kg
------------------------------	--------------------------------------------------------------------------------------------------------------------------------------------------------------------	------------------------------	------------------------------------------------------------------------------------------------------------------------------



- A, B Side and top cable access ports, screw
- C Camera mount
- D Extensive camera and lens options
- E Impact-resistant dome
- F Tamper-resistant screws

www.axis.com

©2006, Axis Communications AB. The Axis logo is a registered trademarks of Axis Communications AB. All other company names and products are trademarks or registered trademarks of their respective companies. We reserve the right to introduce modifications without notice.



Channel Partners **Kwick Soft Solutions Pvt Ltd**, Chennai, India.