

# VT Vandal-Resistant Housing AVTPSC

*Vandal-resistant indoor housing for Axis Network Cameras*

VT Vandal-Resistant Housing AVTPSC has been designed for surveillance applications in premises highly exposed to vandalism (underground parking lots, subway stations, prisons, police stations, corridors, supermarkets etc).

The housing is made of sheet steel (1.5 mm thick), painted with epoxypolyester powder and the front window is made of PMMA glass (4 mm thick). The housing is equipped with an internal bracket for camera attachment and adjustment and the compass opening allows for easy installation and maintenance. The cable outlet is made possible from the fixing base, from both sides (left or right) and from the 2 M20 cable glands on the rear.

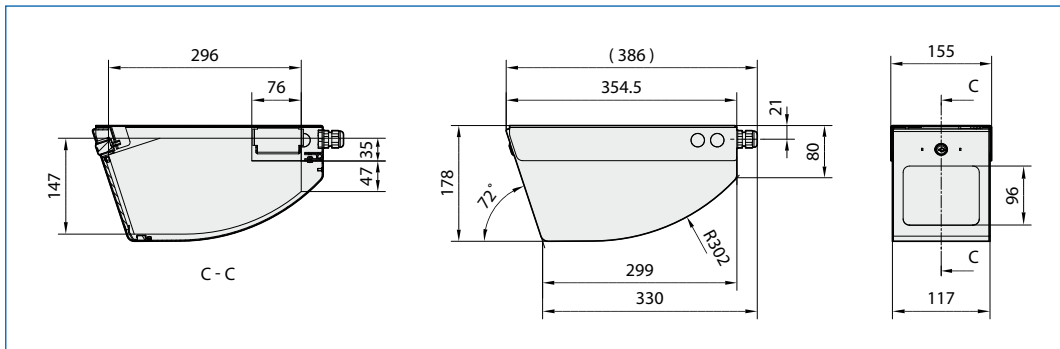
Optionally, VT Vandal-Resistant Housing AVTPSC can be equipped with a heater. Supported cameras are AXIS 210, AXIS 210A, AXIS 211, AXIS 211A, and AXIS 221 Day & Night.



- Indoor installation
- Sheet steel construction
- Epoxypolyester painted
- Key lock

# VT Vandal-Resistant Housing AVTPSC

Specifications			
Supported products	*AXIS 210, AXIS 210A, AXIS 211, AXIS 211A, AXIS 221	Operating conditions	Temperature: up to +50 °C (-4 °F to 122 °F) Temperature with heater: -20 °C
Casing	Made of sheet steel, 1.5 mm thick (0.06") Epoxy polyester powder painted RAL9002 PMMA glass 4 mm (0.15") thick Compass opening	Accessories (not included)	Heater OAVTPSCH1 - Power: in 12 V DC/24 V AC, 20 W, - Operating conditions: on 15 °C +/- 3 °C (59 °F), off 22 °C +/- 3 °C (71 °F)
Power	Camera power supply: OAVTPSCPS1: In 100 – 240 V AC, 50/60 Hz Out 12 V DC, 1 A max	Approvals	CE according to EN61000-6-3, EN60065, EN50130-4 IK8
		Dimensions (HxWxD) and weight	178 x 354.5 x 155 mm (window dimensions: 117 x 96 mm) Weight: 3.5 kg



## VERSO housing – accessories and order guide

To receive a fully working unit for outdoor use, please use the following guide and select one item from each column. Items in grey boxes are optional.

1	2	3
VT Verso Housing Fan HPV42K0A017 	VT Power Supply OAVTPSCPS1 	Heater OAVTPSCH1 