



AXIS 216FD/216FD-V Network Cameras

Discreet cameras for demanding indoor video surveillance



The AXIS 216FD family offers a choice of professional networked fixed dome solutions for exposed indoor locations. Compact and discreet, they are ideal for the indoor surveillance of stores, schools, prisons, banks and other office buildings.



DISCREET AND COMPACT DESIGN >

AXIS 216FD-V is a discreet fixed dome network camera specifically adapted for indoor environments potentially exposed to vandalism. AXIS 216FD has a lighter, tamper-resistant casing and is also suitable for indoor video surveillance. AXIS 216FD network cameras are easy to install, allowing flexible mounting on wall or ceiling.

SUPERIOR IMAGE QUALITY >

AXIS 216FD network cameras offer the high image quality customers have come to expect from Axis products. With progressive scan and 30 frames per second in full VGA resolution, AXIS 216FD cameras make sure that nothing goes unnoticed.

TWO-WAY AUDIO SUPPORT >

With two-way audio support, AXIS 216FD network cameras allow remote users to not only view but also listen to and communicate with visitors and intruders.

POWERFUL EVENT MANAGEMENT >

The event management capabilities ensure efficient use of the cameras in the network video system. This includes multi-window video motion detection, audio detection, active tampering alarm and alarm buffering.



Channel Partners **Kwick Soft Solutions Pvt Ltd**, Chennai, India.

RELIABLE, DISCREET VIDEO SURVEILLANCE

AXIS 216FD-V is a vandal-resistant fixed dome network camera designed for indoor use. Its metal base and durable transparent cover provide excellent protection against vandalism – while offering the same superior camera performance as AXIS 216FD.

AXIS 216FD network cameras have a discreet and compact fixed dome design that make them the perfect choice for indoor environments where a low camera profile is an important factor – such as stores, banks, schools and prisons.



SUPERIOR IMAGE QUALITY

Thanks to the high-quality progressive scan sensor and advanced image processing, AXIS 216FD network cameras deliver crisp and clear images even in low-light conditions.

SIMULTANEOUS MOTION JPEG AND MPEG-4

AXIS 216FD network cameras offer simultaneous Motion JPEG and MPEG-4. Video streams can be optimized for image quality and bandwidth efficiency by configuration of frame rate, resolution, compression level and format – offering up to 30 frames per second in VGA resolution.

TWO-WAY AUDIO SUPPORT

The audio support includes the option of using the built-in microphone or connecting external speakers and microphones. This enables remote users to listen in on an area and communicate instructions, orders or requests to visitors or intruders. Audio can be disabled when inappropriate.

POWERFUL VIDEO AND EVENT MANAGEMENT

With AXIS 216FD network cameras, video can be accessed at any time, from any computer anywhere. AXIS 216FD network cameras also allow for powerful event management with multi-window motion detection, audio detection, active tampering alarm and I/O (input/output) for connecting devices such as external relays and sensors to activate lights or open/close doors. Pre- and post-alarm buffering secures images just before and after an alarm. AXIS 216FD network cameras are supported by AXIS Camera Station video management software, which offers remote video monitoring, recording and playback.

OPEN PROGRAMMING INTERFACE FOR CUSTOMIZED APPLICATIONS

AXIS 216FD network cameras include VAPIX®, the industry-standard application programming interface (API) from Axis Communications, which facilitates the development of customized software solutions. It also ensures compatibility with the market's widest range of third-party applications, available via Axis Application Development Partners.

EASY INSTALLATION

AXIS 216FD network cameras are quick and easy to install. They allow flexible mounting on wall, hard or drop ceiling and versatile adjustment by panning, tilting and rotating the varifocal lens to any camera angle. Smoked transparent cover and drop ceiling mount kit are options for further discretion.



POWER OVER ETHERNET

Power over Ethernet allows power to be delivered to the AXIS 216FD network cameras via the network, reducing cabling requirements and installation costs. This also means that continuous power can be guaranteed by the use of a UPS (Uninterruptible Power Supply).



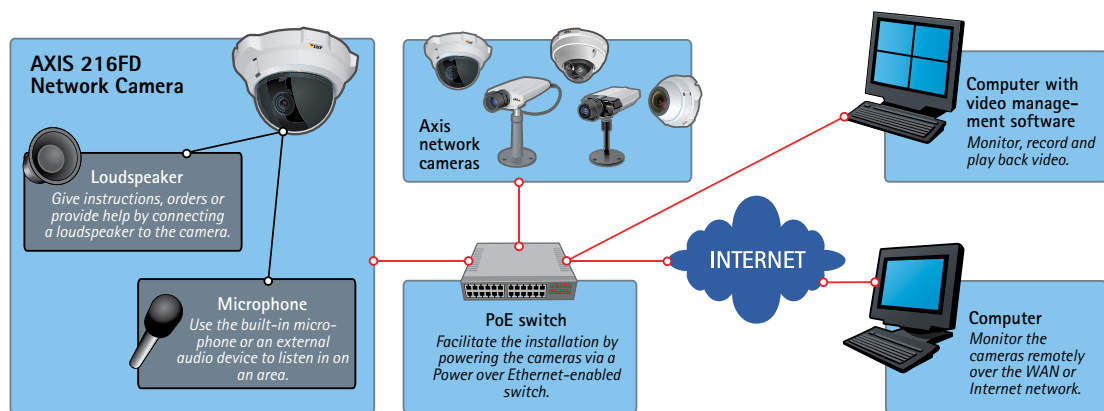
ADVANCED SECURITY AND NETWORK MANAGEMENT

AXIS 216FD network cameras are supported by AXIS Camera Management, which offers centralized management of AXIS 216FD and other Axis network video devices. It locates and shows connection status, sets IP addresses, configures single or multiple units and manages firmware upgrades and user access rights. AXIS 216FD network cameras offer a comprehensive set of network security features, such as multi-level password protection, IP address filtering and HTTPS encryption.

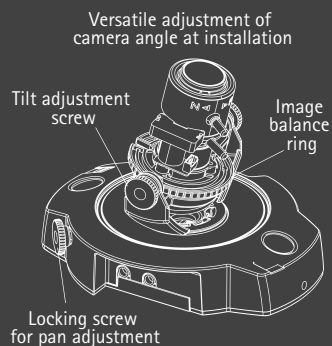
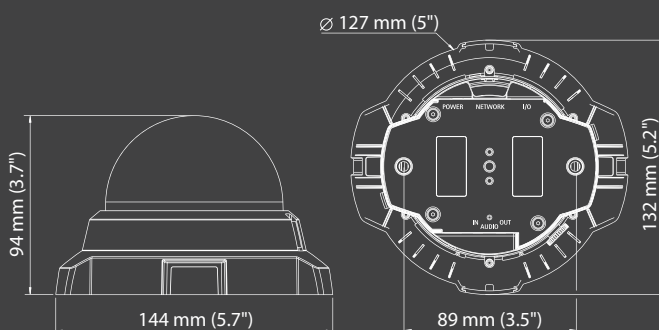
AXIS 216FD network cameras support Quality of Service (QoS), which enables reservation of network capacity and prioritization of mission-critical surveillance in a QoS-aware network. Support for IPv6 is included in addition to IPv4, as insurance against the growing shortage of IP addresses, eliminating the need for network address translation and simplifying configuration in an IPv6 enabled network.



AXIS 216FD/216FD-V: A TYPICAL INSTALLATION



DIMENSIONS



TECHNICAL SPECIFICATIONS – AXIS 216FD/AXIS 216FD-V NETWORK CAMERAS

Models	AXIS 216FD: Tamper-resistant casing AXIS 216FD-V: Vandal-resistant casing	Processors, memory and clock	CPU, video processing and compression: ARTPEC-A RAM: 32 MB, Flash: 8 MB Battery backed-up real-time clock
Image Sensor	1/4" Micron progressive scan RGB CMOS	Power	4.9-5.1 V DC max 3.6 W Power over Ethernet (IEEE 802.3af) Class 1
Lens	Fujinon, F1.3 varifocal 2.8-10 mm, DC-iris Focus range: 0.3 m to infinity	Operating conditions	0-50 °C (32-122 °F) Humidity 20-80% RH (non-condensing)
Angle of view	20°-73° horizontal	Installation, management and maintenance	AXIS Camera Management tool on CD and web-based configuration Configuration of backup and restore Firmware upgrades over HTTP or FTP, firmware available at www.axis.com
Camera angle adjustment	Pan 360°, tilt 170°, rotation 340°	Video access from web browser	Camera live view Video recording to file (ASF) Sequence tour for up to 20 Axis video sources Customizable HTML pages
Minimum illumination	1 lux, F1.3	Minimum web browsing requirements	Pentium III CPU 500 MHz or higher, or equivalent AMD, 128 MB RAM DirectX 9 compatible graphics board, Direct Draw Windows XP, 2000, Internet Explorer 6.x or later For other operating systems and browsers see www.axis.com/techsup
Video compression	Motion JPEG MPEG-4 Part 2 (ISO/IEC 14496-2) with motion estimation Profiles: ASP and SP	System integration support	Open API for application integration including VAPIX® from Axis Communications*, AXIS Media Control SDK*, event trigger data in video stream Quality of Service (QoS) Layer 3, DiffServ Model Embedded Linux operating system * Available at www.axis.com
Resolutions	9 resolutions from 640x480 to 160x120 via API 6 selections via configuration web page	Supported protocols	IPv4/v6, HTTP with Digest Authentication, HTTPS, SSL/TLS*, TCP, QoS, SNMPv1/v2c/v3 (MIB-II), RTSP, RTP, UDP, IGMP, RTCP, SMTP, FTP, ICMP, DHCP, UPnP, Bonjour, ARP, DNS, DynDNS, SOCKS, NTP, IEEE 802.1X More information on protocol usage available at www.axis.com * This product includes software developed by the Open SSL Project for use in the Open SSL Tool kit (www.openssl.org)
Frame rate	Up to 30 fps in all resolutions (Motion JPEG or MPEG-4)	Included accessories	Installation Guide, CD with User's Manual, demo software, installation and management tools, mounting and connector kits, power supply 5.1 V DC, licenses for 1 encoder and 1 decoder, decoder software for Windows
Video streaming	Simultaneous Motion JPEG and MPEG-4 Controllable frame rate and bandwidth Constant and variable bit rate (MPEG-4)	Video management software (not incl.)	AXIS Camera Station - Video management software for viewing, recording and archiving up to 25 cameras See www.axis.com/partner/adp_partners.htm for more software applications via partners
Image settings	Compression levels: 100 Rotation: 0°, 180° Mirroring Configurable color level, brightness, sharpness, white balance, exposure control, fine tuning of behavior at low light Overlay capabilities: time, date, text, image or privacy mask	Accessories (not incl.)	Tamper-resistant casing with smoked transparent cover Vandal-resistant casing with smoked transparent cover Drop ceiling mount kit (AXIS 216FD) Multi-user decoder license pack
Shutter time	1/15000 s to 1/4 s	Approvals	EN 55022 Class B, EN 61000-3-2, EN 61000-3-3, EN 55024, FCC Part 15 Subpart B Class B, ICES-003 Class B, VCCI Class B, C-tick AS/NZS CISPR 22, EN 60950 Power supply: EN 60950, UL, CSA
Audio	Two-way (half duplex), one-way or audio off Built-in microphone, external microphone input or line input. Mono audio output (line level) connects to active speaker with built-in amplifier Audio compression AAC LC 8 kHz 32 kbit/s, G.711 PCM 64 kbit/s, G.726 ADPCM 32 or 24 kbit/s	Dimensions (HxWxD) and weight	94 x 144 x 132 mm (3.7" x 5.7" x 5.2") Weight AXIS 216FD: 425 g (0.94 lb) excl. power supply AXIS 216FD-V: 580 g (1.28 lb) excl. power supply
Security	Multiple user access levels with password protection IP address filtering, HTTPS encryption IEEE 802.1X network access control User access log		
Users	20 simultaneous users Unlimited number of users using multicast (MPEG-4)		
Alarm and event management	Events triggered by video motion detection, audio detection, active tampering alarm, external input or according to a schedule Image upload over FTP, email and HTTP Notification over TCP, email, HTTP and external output Pre- and post alarm buffer of 9 MB (400 images or more, in full 640x480 resolution)		
Connectors	RJ-45 for Ethernet 10BaseT/100BaseTX DC jack Terminal block for 1 alarm input and 1 output 3.5 mm jack for Mic in (max 80 mVpp) or Line mono input (max 6.4 Vpp) 3.5 mm jack for Line mono output (max 1.3 Vpp) to active speaker		
Casing	AXIS 216FD: Polycarbonate base and polycarbonate transparent cover AXIS 216FD-V: 1000 kg (2200 lbs) impact-resistant casing with metal base and durable polycarbonate transparent cover Tamper-proof mounting on wall, hard or drop ceiling		

www.axis.com

©2008 Axis Communications AB. AXIS COMMUNICATIONS, AXIS, ETRAX, ARTPEC and VAPIX are registered trademarks or trademark applications of Axis AB in various jurisdictions. All other company names and products are trademarks or registered trademarks of their respective companies. We reserve the right to introduce modifications without notice.



Channel Partners **Kwikk Soft Solutions Pvt Ltd**, Chennai, India.