

Channel Partners **Kwick Soft Solutions Pvt Ltd**, Chennai, India.

AXIS 211M Network Camera

Megapixel video surveillance with exceptional image detail.



- > Megapixel resolution
- > Progressive scan
- > Simultaneous MPEG-4 and Motion JPEG
- > Power over Ethernet
- > Two-way audio

AXIS 211M is a high performance megapixel network camera that is designed for professional video surveillance in locations such as retail stores, schools, bank or governmental buildings.

Thanks to its 1.3-megapixel resolution, AXIS 211M delivers crisp and clear images, perfect for identifying people and objects.

Progressive scan technology provides full resolution images of moving objects with no distortion.

Simultaneous MPEG-4 and Motion JPEG video streams in full megapixel resolution allow for optimization both in image quality and bandwidth efficiency.

Power over Ethernet (IEEE 802.3af) supplies power to the camera via the network, which eliminates the need for power cables and reduces installation costs.

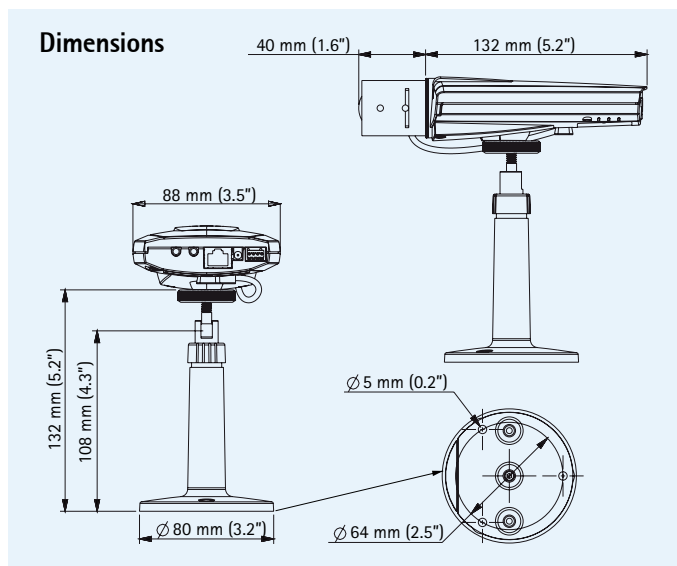
The two-way audio support allows remote users to listen in on an area and communicate with visitors or intruders.



Technical specifications – AXIS 211M Network Camera

Camera		System integration	
Image sensor	1/3" Progressive Scan RGB CMOS 1.3 Megapixel	Application Programming Interface	Open API for software integration, including VAPIX® from Axis Communications available at www.axis.com
Lens	3.0 - 8.0 mm, F1.0, DC-iris, CS mount Angle of view, horizontal: 35° - 93°	Intelligent video	Video motion detection, audio detection
Minimum illumination	1 lux, F1.0	Alarm triggers	Intelligent video, external input
Shutter time	1/15000 s to 1/4 s	Alarm events	File upload via FTP, HTTP and email Notification via email, HTTP and TCP External output activation
Video		Video buffer	20 MB pre- and post alarm
Video compression	MPEG-4 Part 2 (ISO/IEC 14496-2) Motion JPEG	General	
Resolutions	160x90 - 1280x1024	Processors and memory	ARTPEC-A, 64 MB RAM, 8 MB Flash
Frame rate MPEG-4	Up to 8 fps at 1280x1024, 13 fps at 1024x768, 20 fps at 800x600	Power	7 - 20 V DC, max. 5 W Power over Ethernet IEEE 802.3af Class 2
Frame rate Motion JPEG	Up to 12 fps at 1280x1024, 20 fps at 1024x768, 30 fps at 800x600	Connectors	RJ-45 Ethernet 10BaseT/100BaseTX PoE, Auto-MDIX Terminal block for 1 alarm input, 1 output and alternative power connection 3.5 mm mic/line in, 3.5 mm line out
Video streaming	Simultaneous MPEG-4 and Motion JPEG Controllable frame rate and bandwidth VBR/CBR MPEG-4	Operating conditions	0 - 45 °C (32 - 113 °F) Humidity 20 - 80% RH (non-condensing)
Image settings	Compression, color, brightness, sharpness, white balance, exposure control, rotation, fine tuning of behavior at low light Text and image overlay Privacy mask	Approvals	EN 55022 Class B, EN 55024, EN 61000-3-2, EN 61000-3-3, FCC Part 15 Subpart B Class B, VCCI Class B, ICES-003 Class B, C-tick AS/NZS CISPR 22, EN 60950-1 Power supply: EN 60950, UL, cUL
Audio		Weight	244 g (0.5 lb.)
Audio streaming	Two-way, full, half duplex	Included accessories	Power supply, stand, connector kit, Installation Guide, CD with installation tools, recording software and User's Manual, Windows decoder 1-user license
Audio compression	AAC LC 8 kHz 32 kbit/s G.711 PCM 64 kbit/s G.726 ADPCM 32 or 24 kbit/s		
Audio input/output	Built-in microphone, external microphone input or line input, line level output		
Network			
Security	Password protection, IP address filtering, HTTPS encryption, IEEE 802.1X network access control		
Supported protocols	IPv4/v6, HTTP, HTTPS, QoS Layer 3 DiffServ, FTP, SMTP, Bonjour, UPnP, SNMPv1/v2c/v3 (MIB-II), DNS, DynDNS, NTP, RTSP, RTP, TCP, UDP, IGMP, RTCP, ICMP, DHCP, ARP, SOCKS		

More information is available at www.axis.com



Optional accessories

Various housings



Lenses



For information on AXIS Camera Station and video management software from Axis' Application Development Partners, see www.axis.com/products/video/software/