

Channel Partners **Kwick Soft Solutions Pvt Ltd**, Chennai, India.

## AXIS 215 PTZ-E Network Camera

Compact, outdoor-ready pan/tilt/zoom camera.



- > Outdoor-proof
- > IP66-rated protection
- > Easy to install
- > Day and night function
- > 360° pan with Auto-flip

AXIS 215 PTZ-E Network Camera is an outdoor-ready, day and night pan/tilt/zoom camera designed for easy and cost-efficient installation in demanding indoor and outdoor environments such as parking lots, train stations and business premises.

AXIS 215 PTZ-E provides IP66-rated protection against dust and water. The built-in heaters, fans and a removable sunshield ensure that the camera can be used in varying weather conditions and temperatures ranging from -20 °C to 40 °C (-4 °F to 104 °F).

The compact camera comes with a pre-mounted wall bracket, as well as Ethernet and power cables for quick installation. A standard 1.5" NPT adapter is also included for other mounting possibilities; e.g., pendant-mounted on a ceiling.

AXIS 215 PTZ-E enables advanced, remote pan/tilt/zoom control over IP networks. It can pan 360°, thanks to the unique Auto-flip functionality that allows the camera to simulate a continuous pan beyond the mechanical stop, thereby enabling an operator to continuously follow an object.

The camera provides 12x optical and 4x digital zoom for detailed views of a zoomed-in area.

AXIS 215 PTZ-E has automatic day and night functionality with a removable IR-cut filter, providing color video when there is sufficient light and high-quality black and white video in dark conditions.

The camera supports simultaneous MPEG-4 and Motion JPEG video streams for optimization of both image quality and bandwidth efficiency.

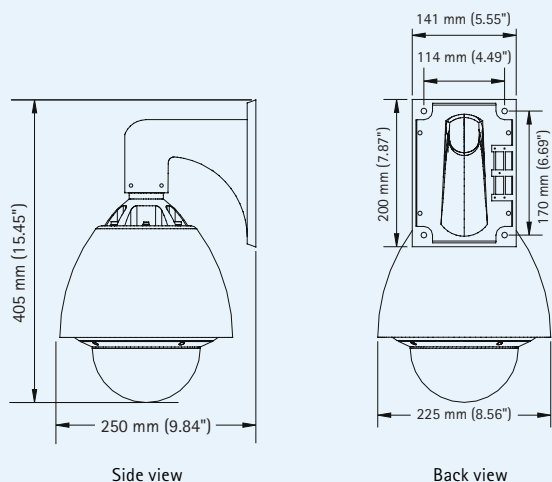


## Technical specifications – AXIS 215 PTZ-E Network Camera

Camera		Network	
<b>Models</b>	AXIS 215 PTZ-E: 60 Hz (NTSC) AXIS 215 PTZ-E: 50 Hz (PAL)	<b>Security</b>	Password protection, IP address filtering, HTTPS encryption, IEEE 802.1X network access control
<b>Image sensor</b>	1/4" interlaced CCD	<b>Supported protocols</b>	IPv4/v6, HTTP, HTTPS, QoS Layer 3 DiffServ, FTP, SMTP, Bonjour, UPnP, SNMPv1/v2c/v3 (MIB-II), DNS, DynDNS, NTP, RTSP, RTP, TCP, UDP, IGMP, RTCP, ICMP, DHCP, ARP, SOCKS
<b>Lens</b>	3.8 – 46 mm, F1.6 – F2.7, automatic day/night, autofocus Angle of view, horizontal: 4.4° – 51.6°	<b>System integration</b>	
<b>Minimum illumination</b>	Color: 1 lux at 30 IRE, F1.6 B/W: 0.3 lux at 30 IRE, F1.6	<b>Application Programming Interface</b>	Open API for software integration, including VAPIX® from Axis Communications available at <a href="http://www.axis.com">www.axis.com</a>
<b>Shutter time</b>	NTSC: 1/50000 s to 4/3 s PAL: 1/50000 s to 8/5 s	<b>Intelligent video</b>	Video motion detection
<b>Pan/Tilt/Zoom</b>	20 preset positions Auto-flip, E-flip ±170° (360° via Auto-flip) pan range, 180°/s pan speed 180° tilt range, 140°/s tilt speed 12x optical, 4x digital zoom Control queue, image freeze, sequence mode Support Windows compatible joysticks Designed for operator control	<b>Alarm triggers</b>	Intelligent video
		<b>Alarm events</b>	File upload via FTP, HTTP and email Notification via email, HTTP and TCP
		<b>Video buffer</b>	9 MB pre-and post alarm
Video		General	
<b>Video compression</b>	MPEG-4 Part 2 (ISO/IEC 14496-2) Motion JPEG	<b>Casing</b>	IP66-rated, rugged aluminum casing with clear dome bubble
<b>Resolutions</b>	NTSC: 704x480 to 176x120 PAL: 704x576 to 176x144	<b>Processors and memory</b>	ETRAX FS, ARTPEC-2, 32 MB RAM, 8 MB Flash
<b>Frame rate MPEG-4</b>	Up to 30/25 (NTSC/PAL) in 2CIF/CIF/QCIF Up to 26/22 (NTSC/PAL) in 4CIF/2CIFExp	<b>Power</b>	100 – 230 V AC: 1.1 A at 110 V AC, 0.6 A at 230 V AC Pre-installed 5 m (16.4 ft.) power cable without mains plug
<b>Frame rate Motion JPEG</b>	Up to 30/25 (NTSC/PAL) in all resolutions	<b>Connectors</b>	RJ-45 for 10BASE-T/100BASE-TX Pre-installed 5 m (16.4 ft.) Cat-5e cable
<b>Video streaming</b>	Simultaneous MPEG-4 and Motion JPEG Controllable frame rate and bandwidth VBR/CBR MPEG-4 ISMA compatible	<b>Operating conditions</b>	-20 °C to 40 °C (-4 °F to 104 °F) 2 built-in heaters, 3 built-in fans
<b>Image settings</b>	Compression, color, brightness, sharpness, white balance, exposure control, backlight compensation, day/night Rotation 0°, 180° Aspect ratio correction Text and image overlay De-interlace (4CIF resolution)	<b>Approvals</b>	EN 55022 Class B, EN 55024, EN 61000-3-2, EN 61000-3-3, EN 60950-1, FCC Part 15 Subpart B Class B, ICES-003 Class B, C-tick AS/NZS 3548 Power supply: UL, CSA, CE
		<b>Weight</b>	4.8 kg (10.6 lb.) incl. cables, excl. wall bracket and sunshield 6.1 kg (13.4 lb.) incl. cables, wall bracket and sunshield
		<b>Included accessories</b>	1.5" NPT adapter, Installation Guide, CD with User's Manual, recording software, installation and management tools, Windows decoder 1-user license

More information is available at [www.axis.com](http://www.axis.com)

### Dimensions



### Optional accessories

Corner mount



Pole mount



AXIS 295 Video Surveillance Joystick



AXIS T90A illuminators



For information on AXIS Camera Station and video management software from Axis' Application Development Partners, see [www.axis.com/products/video/software/](http://www.axis.com/products/video/software/)